

1 2 3 4 5 6 7 8

A

B

C

D

E

F

A

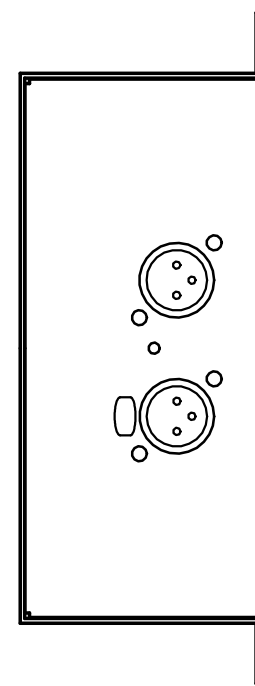
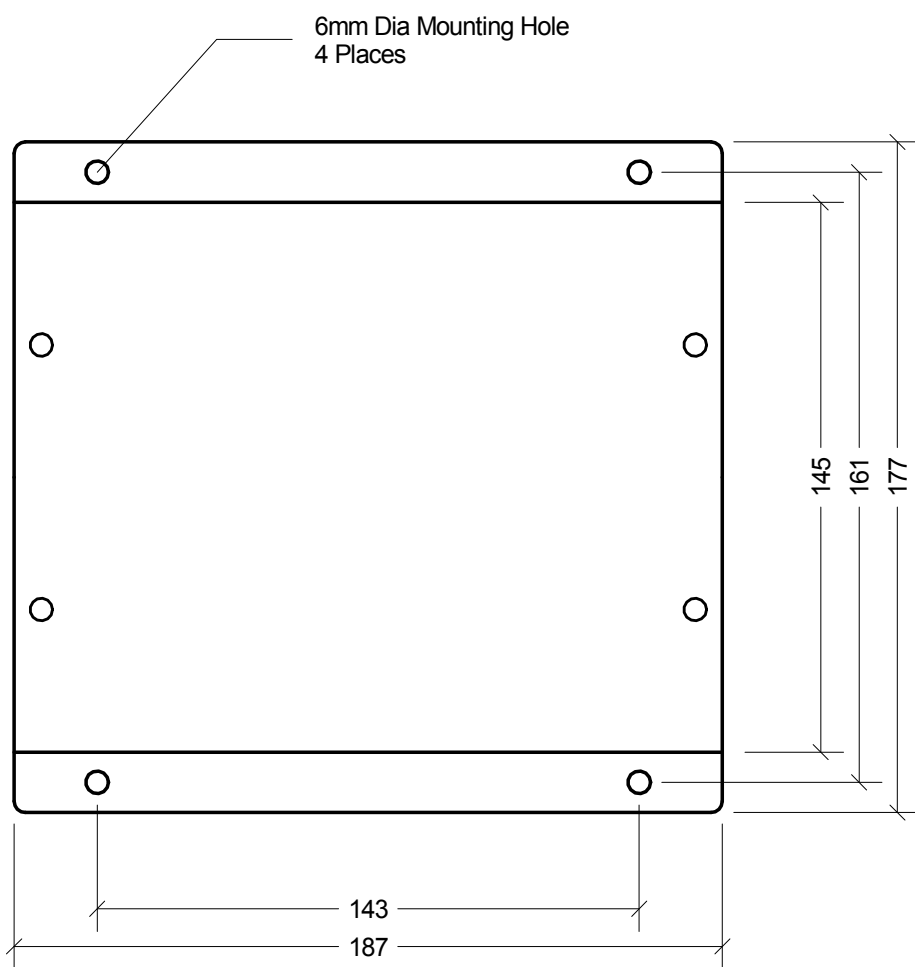
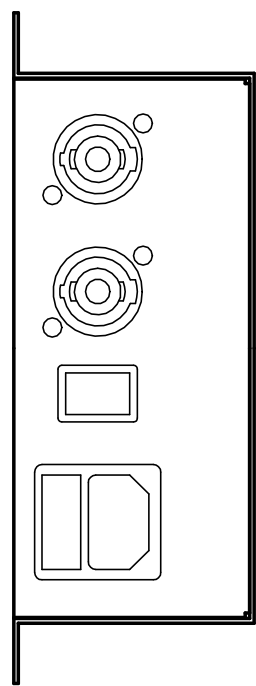
B

C

D

E

F



A 08.03.2013 Original Issue	<b>acoustic technologies</b>					
	Drawn R. Faint	Checked	Approved	Revision A	Scale 1:2	
	<b>MK SERIES AMP PACK GENERAL ARRANGEMENT</b>			Sheet 1 of 1 <b>AT-A3-584</b>		

1 2 3 4 5 6 7 8